

# TMJ-10

# Journal Bearing Type Tribometer

Variable Revolutions  
Variable Load



1

Amount of wear-out and crack are monitored in real time.

Operating Panel



Display



2

Lubricating condition is adjustable.

Condition Setting



Automatic Mode



3

This system can analyze, graph out and store the data.

Load-Time Graph



Stribeck Curve



AE Graph

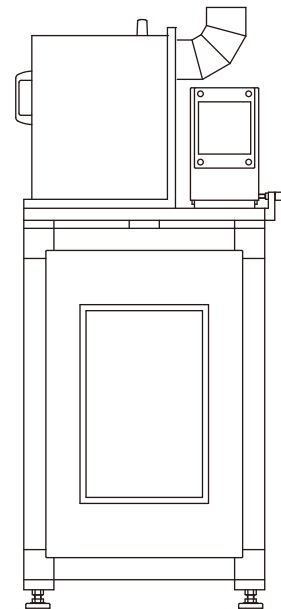
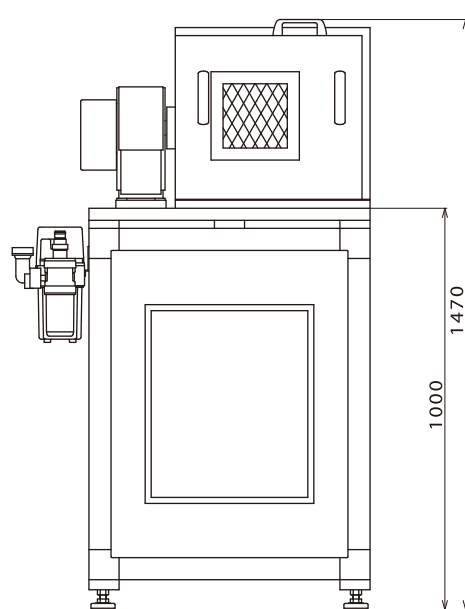
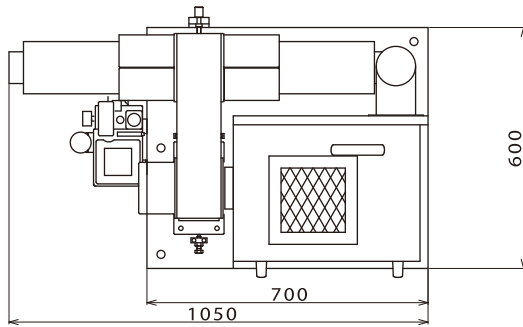


# Spec.

		Standard	Option	Notes
Test Piece	Diameter	φ20 to φ50mm	Small/Large	
	Length	10 to 50mm	Consultation	
Load	Revolutions	50 to 10,000rpm	Consultation	
	Load	10 to 10,000N	Consultation	Radial Load
Lubricant	Style	Forced Transfer / Jet / Mist		Manual
	Temperature	Room temp. to 120°C	Low / High	
Measurement		Trend • PV • Stribeck • AE		Data Management
Size (mm) / Weight (kg)		W1500 × D2000 × H1800 / 1000		Except: Control Panel
Power Supply		AC 200V 3-phase (50 / 60Hz)		

\* We would take requests as much as we can.

# Outline Dimensions



Space Creation Co.,Ltd.

1341-1 Zora-cho, Minami-ku, Hamamatsu-shi,  
 Shizuoka-ken, 432-8062, Japan  
 TEL : +81-53-447-2755 FAX : +81-53-447-2833  
 E-mail : general@spacecreation.co.jp  
 URL : http://www.spacecreation.co.jp

Agency